

## PIPING | THE SIMPLE SOLUTION

### KP C17 Thread Fittings



[www.kspiping.com](http://www.kspiping.com)

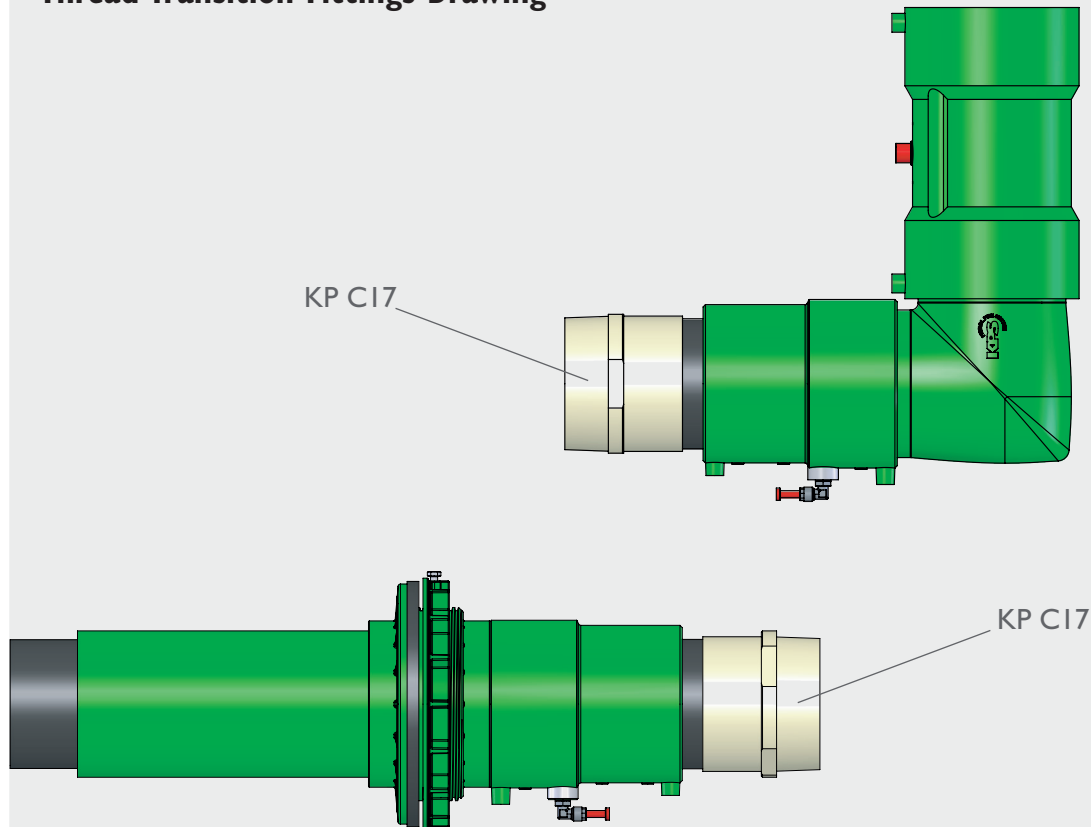
PIPING | WHAT'S NEXT

# KP C17 Thread Transition Fittings

## Overview

Revision: 02-03-2023

### Thread Transition Fittings Drawing

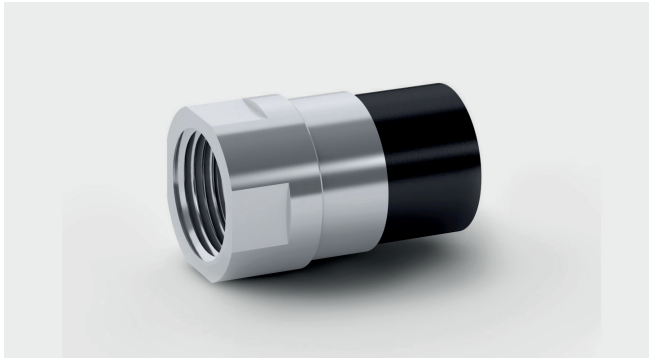


### For More Information

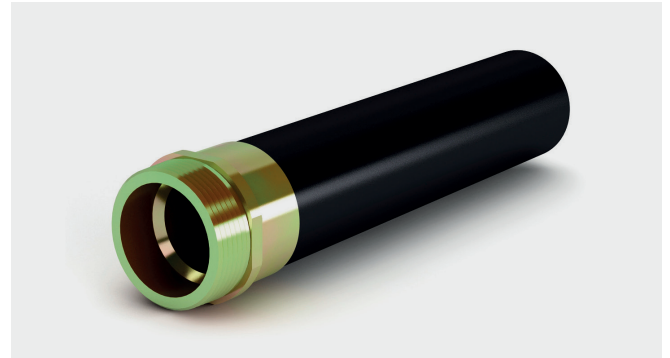
Contact [KPS](#)  
or visit our  
[website](#)

### Key Benefits

- Transition fittings plastic to steel
- Metallic part crimped on a piece of pipe, anti-rotation + anti tear away
- Available in all size, reduced or not, male and female
- Available in long version (stub length increased)
- Steel with coating for a better rust resistance
- Some fittings are available in Stainless steel



KP C17-63FS



KP C17-110ML

### Fittings Code Number & Description

| Code Number    | Description  | Weight Kg | Packing |
|----------------|--|-----------|---------|
| KP C17-110F    | Thread transition fitting femelle 4" for pipes Ø110mm                    | 2,32      | 4       |
| KP C17-110M    | Thread transition fitting male 4" for pipes Ø110mm                       | 2,316     | 4       |
| KP C17-110FL   | Thread transition fitting female 4" for pipes Ø110mm long stub           | 3,55      | 1       |
| KP C17-110ML   | Thread transition fitting female 4" for pipes Ø110mm long stub           | 3,55      | 1       |
| KP C17-110/90F | Thread transition fitting female reduced 3" for pipes Ø110mm             | 3,375     | 4       |
| KP C17-110/90M | Thread transition fitting male reduced 3" for pipes Ø110mm               | 2,159     | 4       |
| KP C17-90F     | Thread transition fitting female 3" for pipes Ø90mm                      | 1,638     | 5       |
| KP C17-90M     | Thread transition fitting male 3" for pipes Ø90mm                        | 1,6       | 5       |
| KP C17-63F     | Thread transition fitting female reduced 3" for pipes Ø63mm              | 0,813     | 12      |
| KP C17-63M     | Thread transition fitting male reduced 3" for pipes Ø63mm                | 0,686     | 12      |
| KP C17-63FL    | Thread transition fitting female 2" for pipes Ø63mm long stub            | 1,287     | 1       |
| KP C17-63ML    | Thread transition fitting male 2" for pipes Ø63mm long stub              | 1,16      | 1       |
| KP C17-63/54F  | Thread transition fitting female reduced 1"1/2 for pipes Ø63mm           | 0,848     | 12      |
| KP C17-63/54M  | Thread transition fitting female reduced 1"1/2 for pipes Ø63mm           | 0,616     | 12      |
| KP C17-63/54FL | Thread transition fitting female reduced 1"1/2 for pipes Ø63mm long stub | 1,322     | 1       |
| KP C17-63/54ML | Thread transition fitting male reduced 1"1/2 for pipes Ø63mm long stub   | 1,09      | 1       |
| KP C17-54F     | Thread transition fitting female 1"1/2 for pipes Ø54mm                   | 0,674     | 15      |
| KP C17-54M     | Thread transition fitting male 1"1/2 for pipes Ø54mm                     | 0,448     | 15      |
| KP C17-32F     | Thread transition fitting female 1" for pipes Ø32mm                      | 0,25      | 1       |





#### Contact Us

Call: +44 (0) 1756 799 773 Email: [info@kpspiping.com](mailto:info@kpspiping.com)  
Visit: [www.kpspiping.com](http://www.kpspiping.com)

#### Interested In Becoming A Distributor?

We are always looking to find new partners in countries where we don't currently have a partner please email us at [info@kpspiping.com](mailto:info@kpspiping.com)