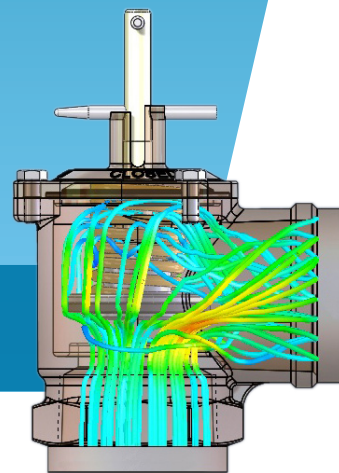


KP 15-050 SHUT OFF VALVE FOR SUCTION SYSTEM APPLICATION



KPS15-050 Designed to enable safe, easy and reliable testing and isolation of suction lines, the KPS15-050 tank top shut off valve can be simply and quickly installed in new or retrofit applications. Ideal to combine with the OPW 16UP-F under dispenser check valve.

OPW 
a **DOVER** company

opwglobal.com

DEFINING | WHAT'S NEXT

15-050 Shut Off Valve

Designed to enable safe, easy and reliable testing and isolation of suction lines, the KPS15-050 tank top shut off valve can be simply and quickly installed in new or retrofit applications. Ideal to combine with the OPW 16UP-F under dispenser check valve.

Features

- **Spring-Loaded Design** – Will function properly when mounted in any position.
- **Maintenance is Simplified** – Can be fully serviced without removal from line.

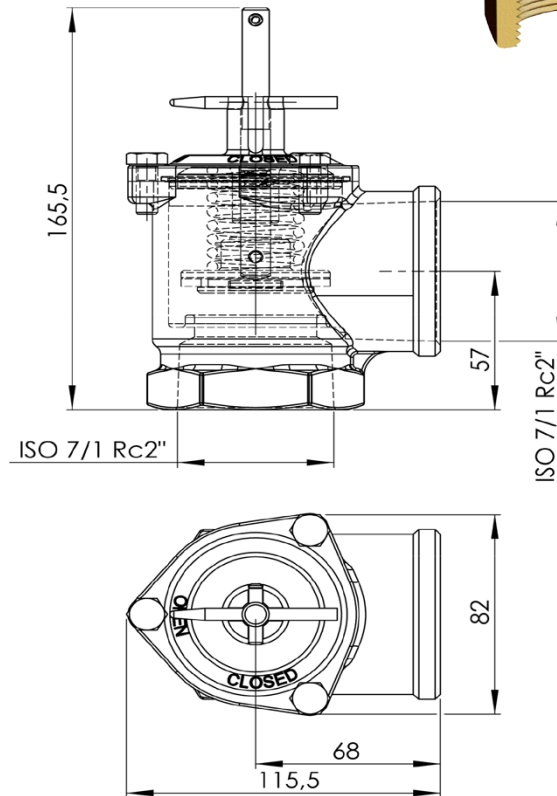
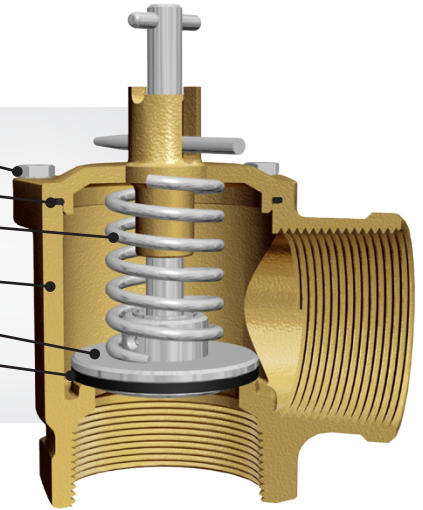
Recommended for use on suction lines, fuel lines on top of fuel storage tanks.

This model are available with female threaded inlets for connection directly into tank bunge fittings.



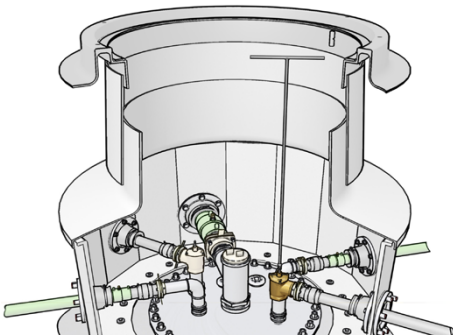
Materials

- Bolts 3pcs:** Stainless Steel
- Gasket:** Viton Rubber
- Spring:** Stainless Steel
- Body:** Brass
- Valve:** Stainless Steel
- Gasket:** Viton Rubber
- Total Weight:** 2,1kg

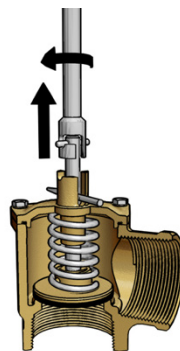


The extended handle KP 15-050HL.

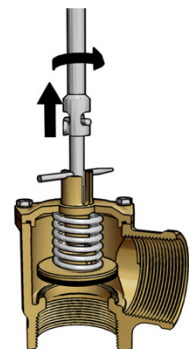
How to Operate



1. KP 15-050 Shut off valve can easily be operated from outside the tank chamber by using the extended handle KP 15-050HL.



2. To open, catch the pin with the handle. Lift the handle and turn the handle counter-clockwise and release the pin.



3. To close, catch the pin with the handle. Lift the handle and turn it clockwise and release the pin.